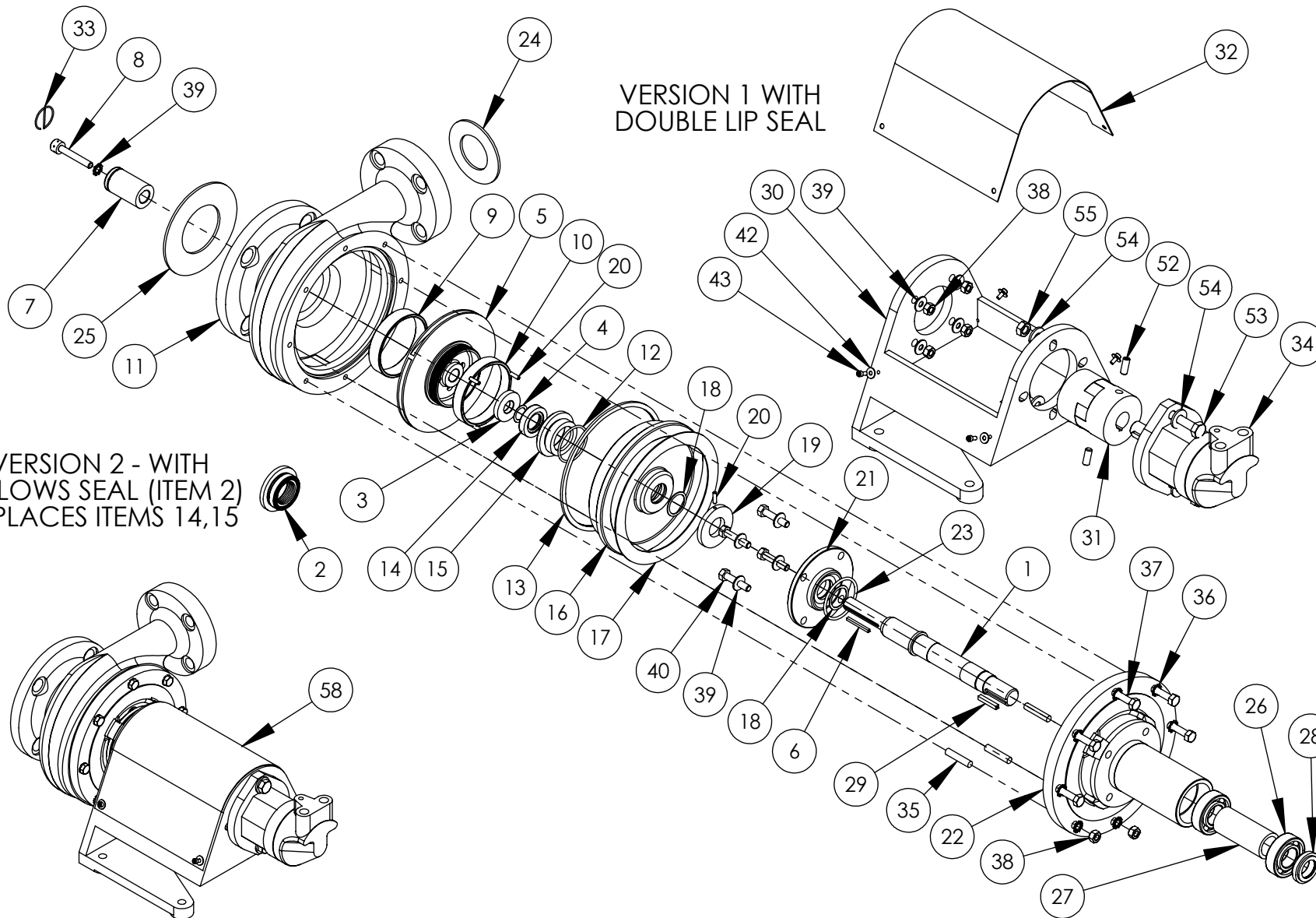


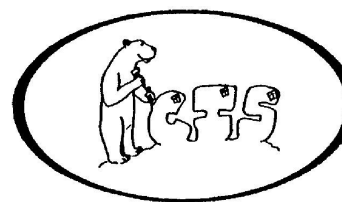
VERSION 2 - WITH
BELLOWS SEAL (ITEM 2)
REPLACES ITEMS 14,15

VERSION 1 WITH
DOUBLE LIP SEAL



CRCP 100 CENTRIFUGAL PUMP 1.5"x2.5"x6"

DRG REF:-CWD-051-1



**CRYOGENIC &
INDUSTRIAL SPARES**

tel: +44(0)1493 732700
fax: +44(0)1493 733277
e-mail: cryoind@btconnect.com
www.crogenicind.com